

1781-OC5Q



Product Categories: [Discrete I/O Series](#), [Quads](#)

Product Attributes

- Part Type: Output
- Nominal Field Voltage: 200V
- Nominal Logic Voltage: 5V
- Industry Model: ODC5AQ
- Field Voltage Range: 5-200 V
- Current Type: DC
- Allowable Off-State Voltage (V): 240
- Drop out Current (mA): 2
- Allowable Off-State Current (mA): -
- Max Input Current (mA): 200

Features

Operating temperature range -30 to +80C

Storage temperature range -40 to +100C

Isolation 4,000 V rms

Capacitance input to output 8 pF

Line frequency range 47 to 63 Hz

Application Notes

Do not install or remove modules in live (electrically hot) circuits. High voltage may be present.

Input connections are non-polarized.

The controlled voltage on the output pins (OUT 1,2,3, and 4) cannot exceed 3 V dc higher than +Vcc. This is a limitation of the reverse breakdown voltage of the status indicator LED's.

An externally located diode (forward biased) can be installed in series with +Vcc 1 & 2 (pin 4) or +Vcc 3 & 4 (pin 11) of the module to extend the output control voltage to a maximum of 30 V dc. An externally located diode (forward biased) can be installed in series with the + terminal of a quad /backplane to extend the output control voltage to a maximum of 30 V dc.

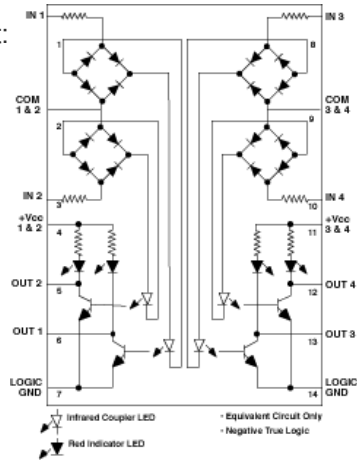
General Info

1781-Series Quad Modules are available in all of the field voltages as the 1781-Series of Slim Modules or the WRC4-Series of modules. They provide four I/O circuits in one package with an integral LED for each circuit. The 1781-Series of Quad I/O Modules are compatible with the de facto industry standard footprints, however, attention should be given to applications where dc inputs and outputs are involved to confirm the proper polarity. Different vendors have implemented these functions in different ways. WRC offers several different versions allowing the user to meet the polarity needs for your application. Refer to the application notes section of the catalog which discuss sourcing and sinking applications. UL recognized and CE compliant

are standard.

System Flow

System Flow Chart:



Schematics

Schematics Chart: